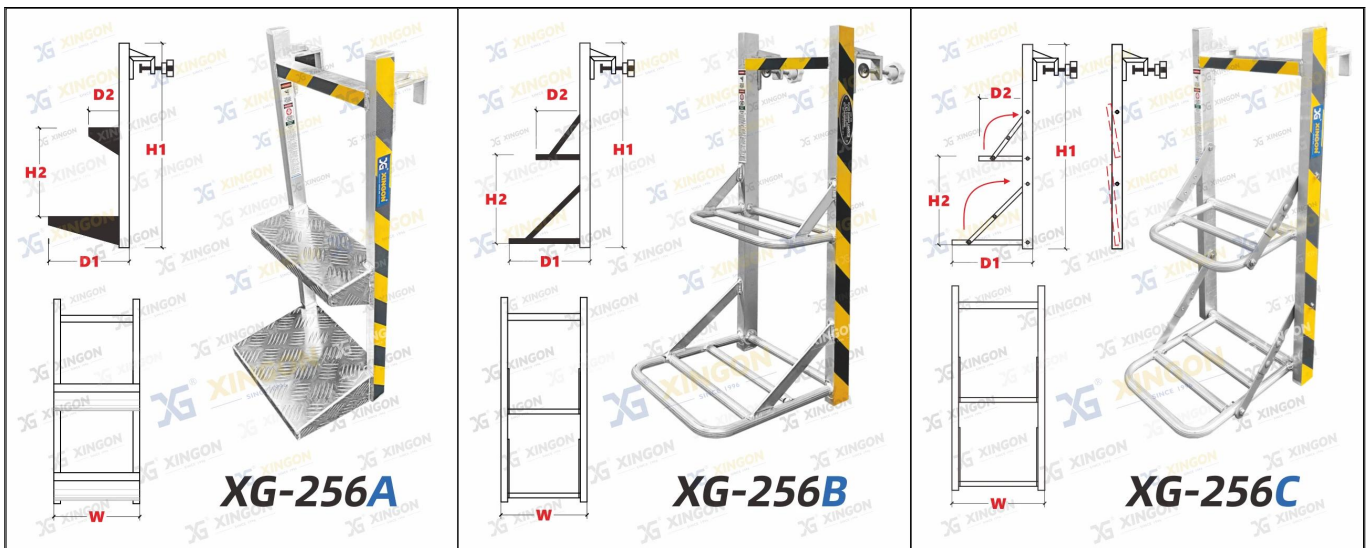


XG-256



XG XINGON
SINCE 1996

Highly durable and offering superior strength. Combining a host of added features and benefits, the professional range features heavy duty aluminum construction and is load rated at 150kg.



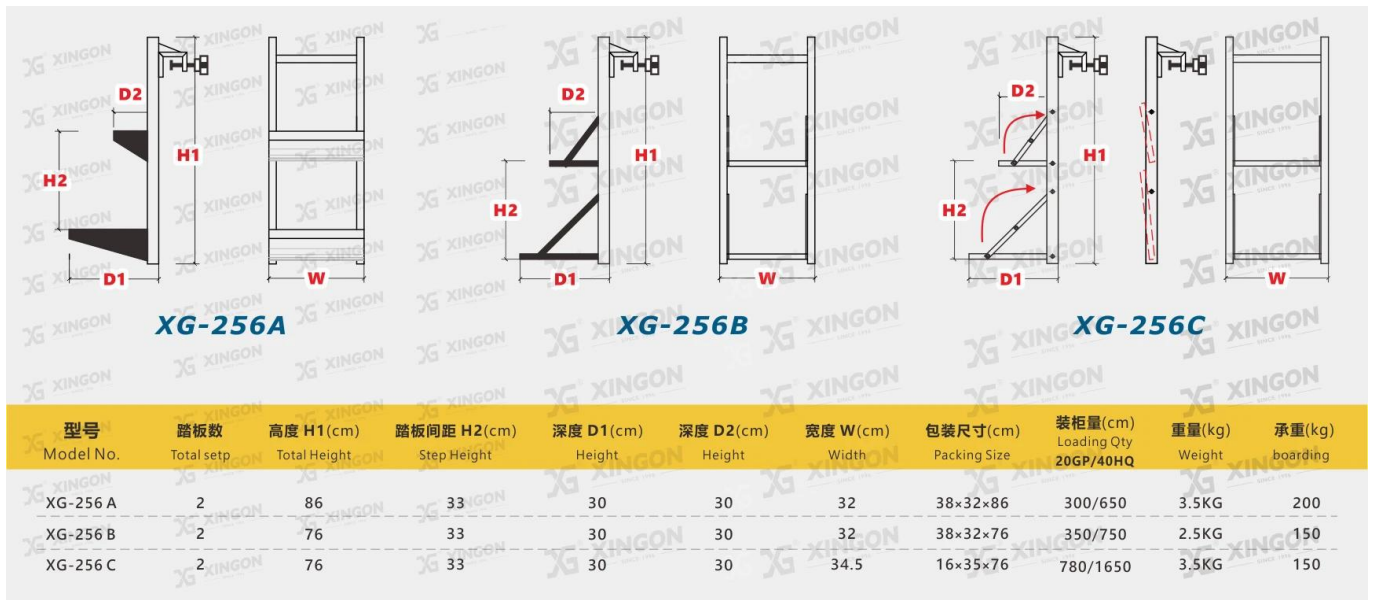
01 /Basic parameters

Bearing
150KG

Standard
EN131/GB

Step Space
33CM

Special
The top can be locked



02 /Features

- Suitable for all kinds of open truck boarding
- Convenient and quick, instant use
- All aluminum alloy welding, safe and reliable
- Thickened profile, more stable up and down

03 /Picture



04 /Details:



05 /About XINGON

XINGON was founded in **1996**, with nearly **30** years of production experience, we have become a leading enterprise in the field of safety climbing products.

Our main products include Aluminum profiles, Aluminum ladders, Fiberglass ladders, Aluminum scaffolding, Custom aluminum products, Custom machinery, and more.

We produce our own raw materials and accessories providing customers with cost-effective and high-quality products.

30 YEARS OF PRODUCTION EXPERIENCE

45+ PRODUCT PATENTS

500 COOPERATE WITH FORTUNE 500 COMPANIES

38000m² SQUARE METERS OF STANDARD PRODUCTION BASE

The company's products are internationally certified and before leaving the factory, the company's professional quality inspection can be delivered



DISPLAY OF SOME PARTNERS AND ENGINEERING CASES



- Small order is accepted
- Quickly response and prompt delivery
- High quality with **ANSI/AS-NZS/CE/EN131□1004□14183/GB17889** certificate
- Offer **OEM/ODM** service
- Process raw material in-house to reduce costs
- Process all raw material in house which ensure high quality, prompt delivery and competitive prices.
- All productions pass standards tested by SGS, with 91% repeated order rate.
- To benefit from our productions and service, please kindly contact us today.

FAQ

1. Are you a factory or trading company□

We are a manufacture major in aluminum and fiberglass ladders/profile

2. Do you have any certifications□

Yes□our products have successfully passed EN/ANSI test

3. How can I get samples□

Please contact us by Email□sales@xgladders.com□ and tell us your requirements

4. Whats is the MOQ□

No matter how many quantity□we will seriously treat every customer

5. Do you provide OEM/ODM service□

Yes□we do. All most all of our products are made according to our clients' designs. We offer OEM/ODM service for 21 years

6. Where is your factory located□

We are located in Guangdong Foshan□kindly visit us if possible

Foshan XINGON Steady Aluminum Co., Ltd

Foshan XINGON Ladders Factory

Guangdong XINGON Technology Co., Ltd

Guangdong XINGON YONGWIN Technology Co., Ltd

HongKong WAHHING International Limited

XINGON Industrial Group (Singapore) Co., Ltd